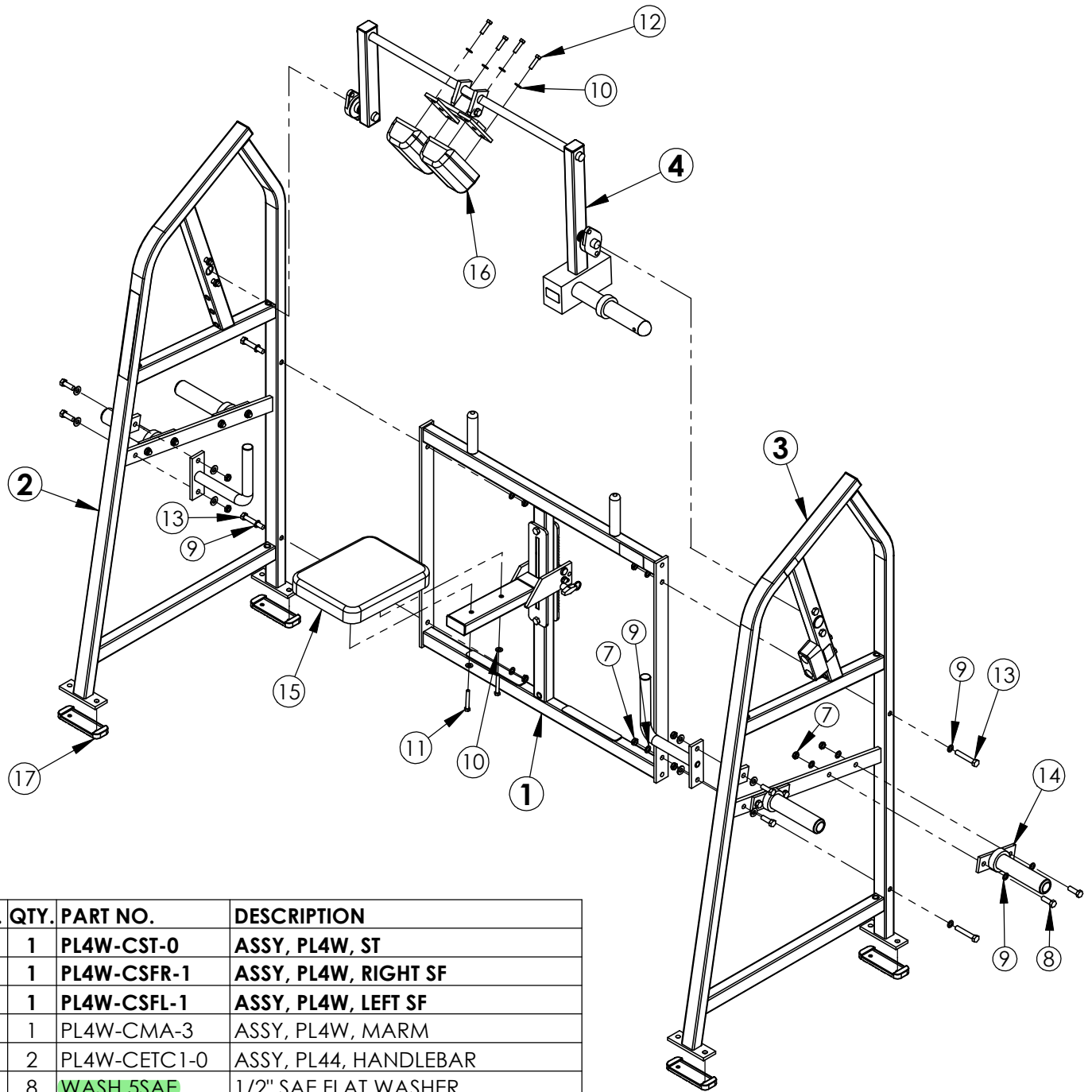


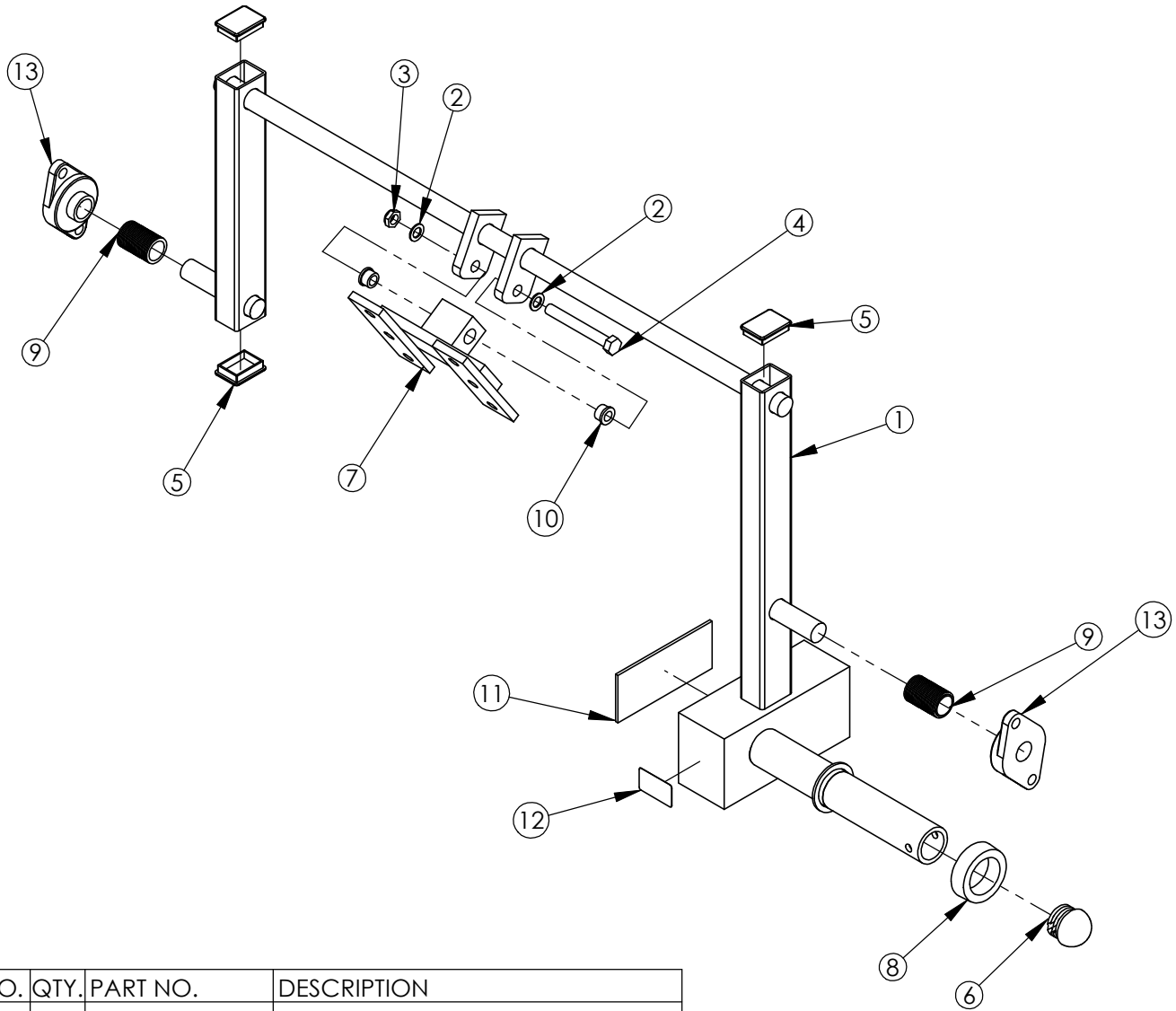
WEIGHT = 253.8 lb  
LENGTH = 33"  
WIDTH = 54"  
HEIGHT = 62"

# HAMMER STRENGTH EQUIPMENT PL4W EXPLODED



ITEM NO.	QTY.	PART NO.	DESCRIPTION
1	1	PL4W-CST-0	ASSY, PL4W, ST
2	1	PL4W-CSFR-1	ASSY, PL4W, RIGHT SF
3	1	PL4W-CSFL-1	ASSY, PL4W, LEFT SF
4	1	PL4W-CMA-3	ASSY, PL4W, MARM
5	2	PL4W-CETC1-0	ASSY, PL44, HANDLEBAR
6	8	WASH.5SAE	1/2" SAE FLAT WASHER
7	16	NUT.5JAMLOCK	1/2 THIN LOCK NUT
8	12	HHB.5X1.5	BOLT, HEX HEAD 1/2 X 1-1/2
9	24	WASH.5STAR	1/2" INTERNAL LOCK WASHER
10	6	WASH.375SAE	3/8" SAE FLAT WASHER
11	2	HHB.375X2.5	STEEL BOLT 3/8 X 2.5
12	4	HHB.375X1.5	STEEL BOLT 3/8 X 1.5
13	4	HHB.5X3	1/2 X 3 BOLT
14	4	H-HORN-ASSY	ASSY, WEIGHT HORN
15	1	U-13-5	Standard 13" Pad
16	2	U-4W	Knee Pad
17	4	MM-8	2 X 6 FLANGE RUBBER SLIPPER

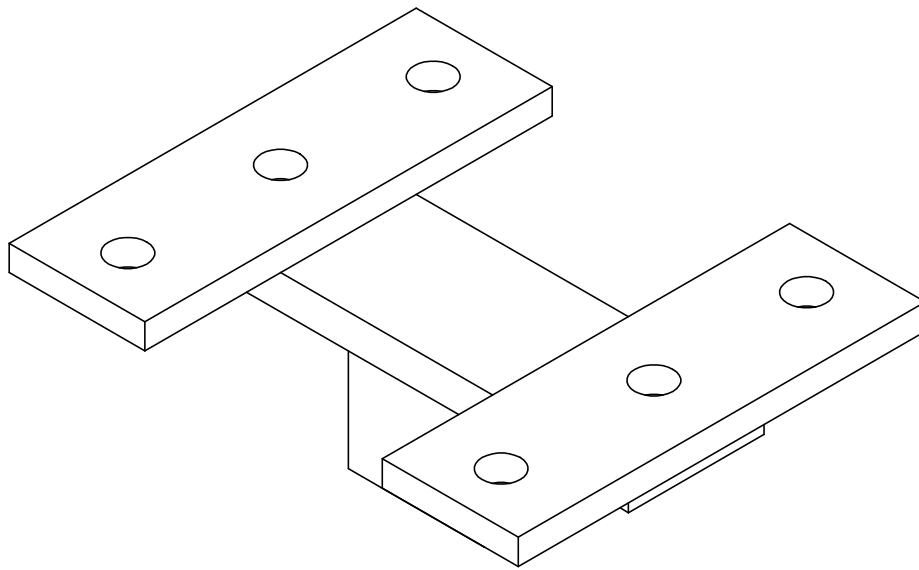
**HAMMER STRENGTH EQUIPMENT  
PL4W-CMA-3, ASSY, PL4W, MARM**



ITEM NO.	QTY.	PART NO.	DESCRIPTION
1	1	PL4W-MA-2	WLDMT, PL4W, Movement Arm
2	2	WASH.5STAR	1/2" INTERNAL LOCK WASHER
3	1	NUT.5JAMLOCK	1/2 THIN LOCK NUT
4	1	HHB.5X4Bro	1/2 X 4 BOLT BRONZE
5	3	RC1520-1Q1	CAP:1-1/2 X 2 RECTANGLE PLUG
6	1	RUBCAP1-2	RUBBER CAP #1
7	1	PL4W-ETC-0	WLDMT, PL4W, HEAD PAD MOUNT
8	1	H-RUBRNG	MM5 RING
9	2	ACCORDIAN	SHAFT GUARD
10	2	STEELBUSH	3/4 I.D. Flanged Drill Bushing
11	1	H-NAME PLATE	NAMEPLATE (45156-P)
12	1	STAY CLEAR	STAY CLEAR DECAL
13	2	H-BEAR-SML	SMALL BEARING

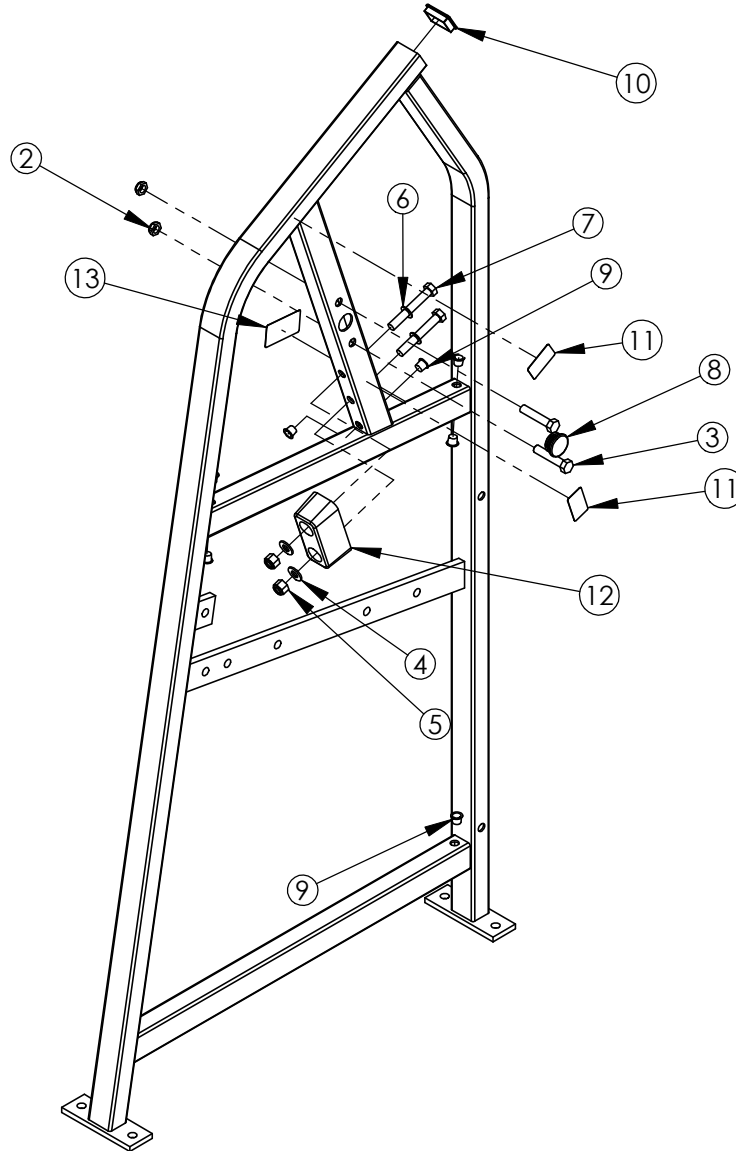
WEIGHT = 58.2 lb  
 LENGTH = 51"  
 WIDTH = 22 3/8"  
 HEIGHT = 8 1/4"

**HAMMER STRENGTH EQUIPMENT**  
**PL4W-ETC-0, WLDMT, PL4W, HEAD PAD MOUNT**



WEIGHT = 6 lb  
LENGTH = 6"  
WIDTH = 7 1/2"  
HEIGHT = 2 5/8"

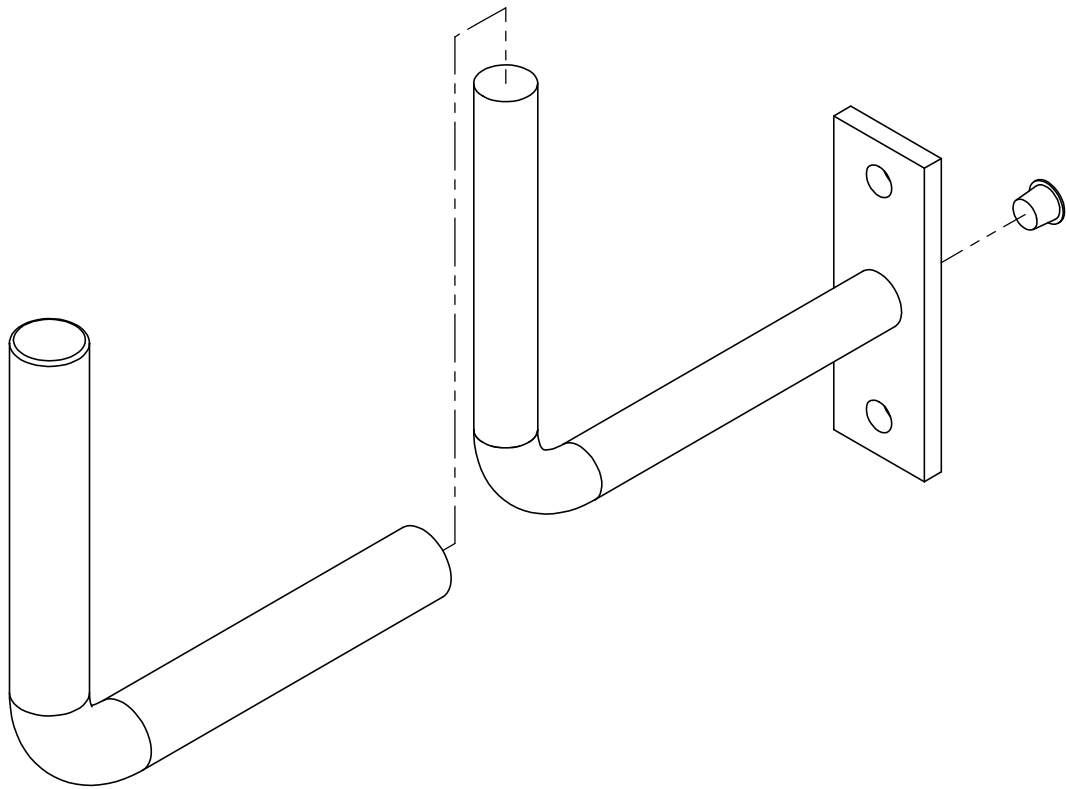
**HAMMER STRENGTH EQUIPMENT  
PL4W-CSFL-1, ASSY, PL4W, LEFT SF**



ITEM NO.	QTY.	PART NO.	DESCRIPTION
1	1	PL4W-SF-0	WLDMT, PL4W, Side Frame
2	2	NUT.5JAMLOCK	1/2 THIN LOCK NUT
3	2	HHB.5X2.5	1/2 X 2 1/2 BOLT
4	2	WASH.5SAE	1/2" SAE FLAT WASHER
5	2	NUT.5LOCK	1/2 DIA THICK LOCK NUT
6	2	WASH.5STAR	1/2" INTERNAL LOCK WASHER
7	2	HHB.5X3.5	1/2 X 3 1/2 BOLT
8	1	H-LOCK-PLUG(SMALL)	SMALL LOCKING PLUG
9	7	H-HPLUG(REG)	9/16IN HOLE PLUG
10	1	RC1520-1Q1	CAP:1-1/2 X 2 RECTANGLE PLUG
11	2	STAY CLEAR	STAY CLEAR DECAL
12	1	H-BUMP-MED	MM2 MEDIUM
13	1	PATENT	PATENT DECAL

WEIGHT = 65 lb  
 LENGTH = 34 1/8"  
 WIDTH = 10 1/2"  
 HEIGHT = 69 1/4"

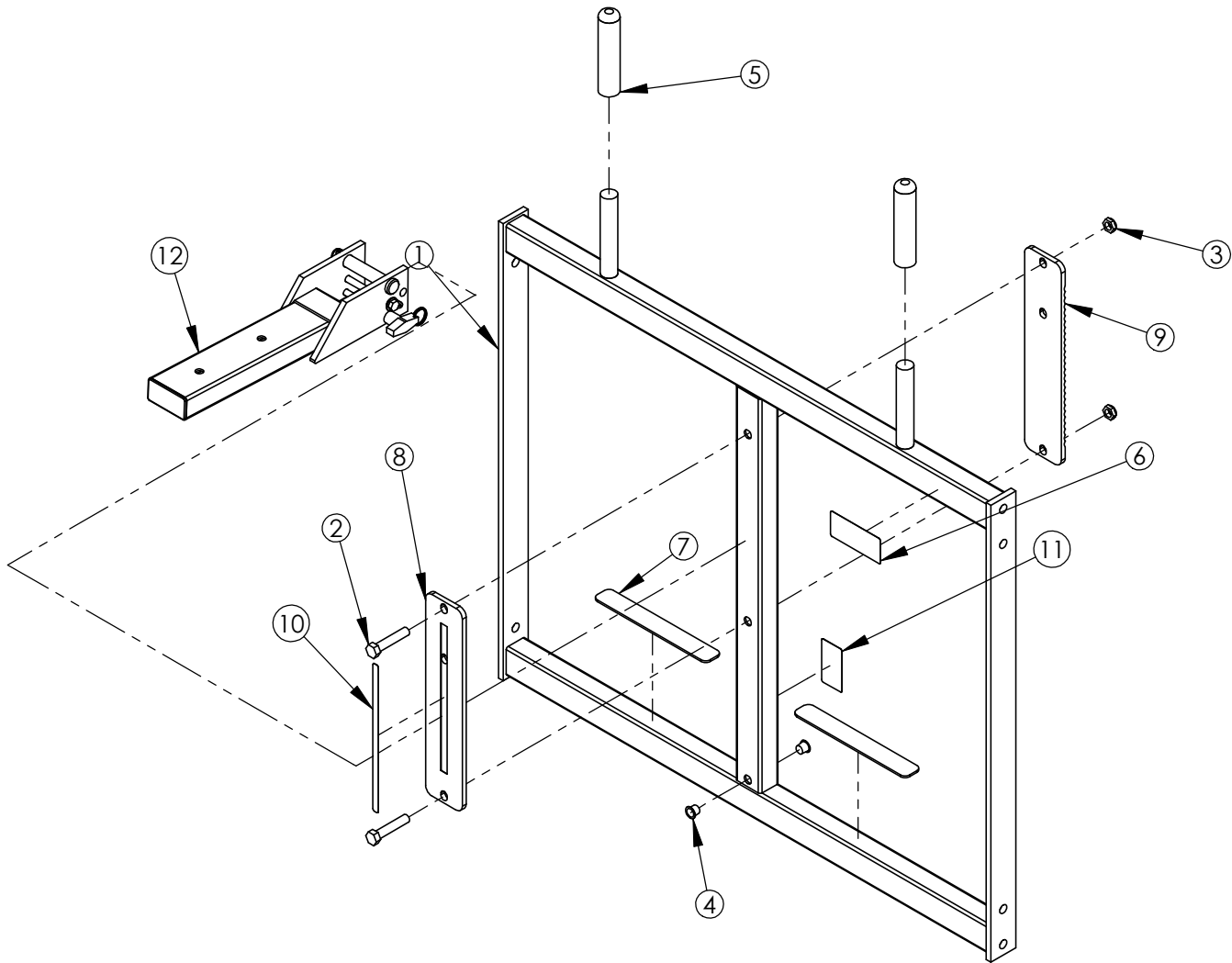
**HAMMER STRENGTH EQUIPMENT  
 PL4W-CETC1-0, ASSY, PL4W, HANDLEBAR**



ITEM NO.	QTY.	PART NO.	DESCRIPTION
1	1	PL4W-ETC1-0	WLDMT, PL4W, HANDLEBAR
2	1	H-GRIP	HANDLE GRIPS (.938X16)
3	1	H-HPLUG(REG)	9/16IN HOLE PLUG

WEIGHT = 5 lb  
 LENGTH = 9 1/8"  
 WIDTH = 2"  
 HEIGHT = 11 1/4"

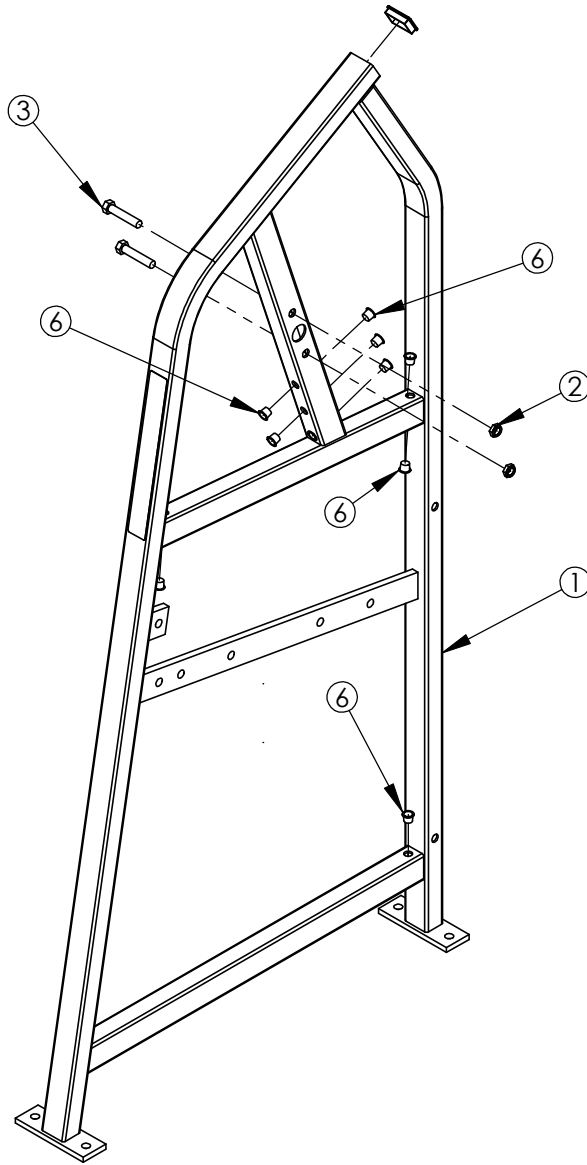
**HAMMER STRENGTH EQUIPMENT**  
**PL4W-CST-0, ASSY, PL4W, ST**



ITEM NO.	QTY.	PART NO.	DESCRIPTION
1	1	PL4W-ST-0	Seat Support Frame
2	2	HHB.5X2.5	1/2 X 2 1/2 BOLT
3	2	NUT.5JAMLOCK	1/2 THIN LOCK NUT
4	2	H-HPLUG(REG)	9/16IN HOLE PLUG
5	2	H-GRIP	HANDLE GRIPS (.938X16)
6	1	8773701	SMALL WARNING HOR.
7	2	NONSKID 1 X 9	PLASTIC NON-SKID STRIP 1 X 9
8	1	H-SEATRCKS-N	PLASTIC SEAT GUIDES(PP229)NEW)
9	1	H-SEATRCKS-RIB	SEATRACK BACK
10	1	SEAT NUMBER	SEAT ADJ. NUMBER
11	1	SERIAL NUMBER	SERIAL NUMBER
12	1	CSTD-ST-1	ASSY, STD-ST

WEIGHT = 51 lb  
 LENGTH = 17 3/8"  
 WIDTH = 39 1/2"  
 HEIGHT = 37 1/4"

**HAMMER STRENGTH EQUIPMENT  
 PL4W-CSFR-1, ASSY, PL4W, RIGHT SF**

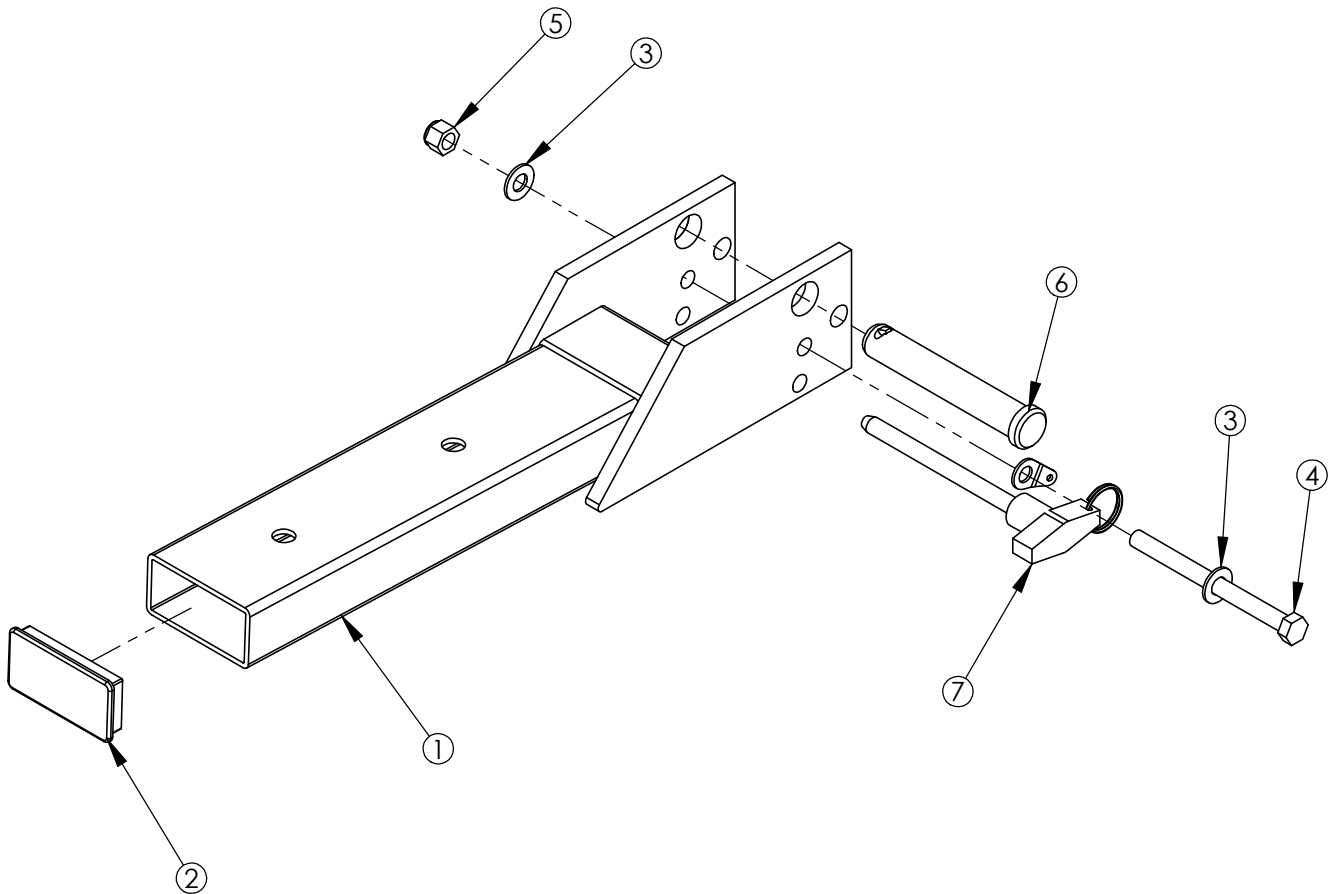


ITEM NO.	QTY.	PART NO.	DESCRIPTION
1	1	PL4W-SF-0	WLDMT, PL4W, Side Frame
2	2	NUT.5JAMLOCK	1/2 THIN LOCK NUT
3	2	HHB.5X2.5	1/2 X 2 1/2 BOLT
4	1	H-LOCK-PLUG(SMALL)	SMALL LOCKING PLUG
5	1	RC1520-1Q1	CAP:1-1/2 X 2 RECTANGLE PLUG
6	11	H-HPLUG (REG)	9/16IN HOLE PLUG
7	1	ID4W	PRODUCT DECAL

WEIGHT = 65 lb  
 LENGTH = 34 1/8"  
 WIDTH = 10 1/2"  
 HEIGHT = 69 1/4"



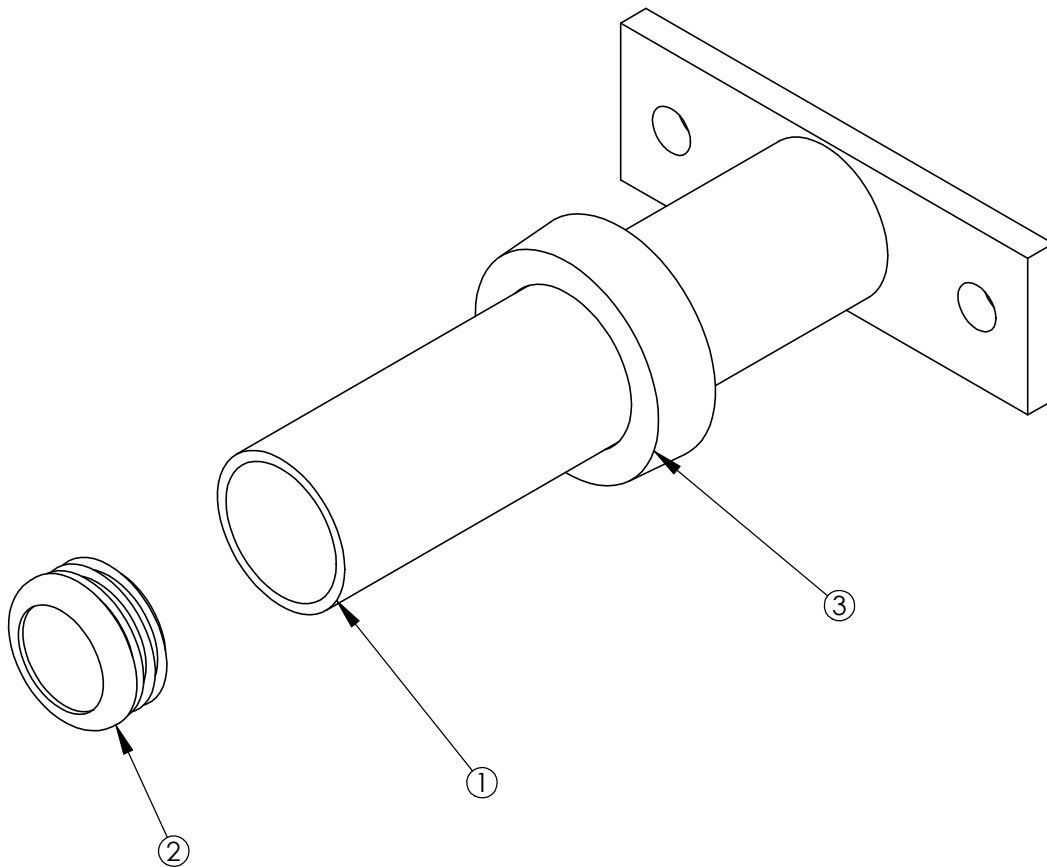
**HAMMER STRENGTH EQUIPMENT**  
**CSTD-ST-1: ASSY, STD ST**



ITEM NO.	QTY.	PART NO.	DESCRIPTION
1	1	STD-ST	Standard Seat #1
2	1	RC1530-1Q1	CAP:1-1/2 X 3 RECTANGLE PLUG
3	2	WASH.375SAE	3/8" SAE FLAT WASHER
4	1	HHB.375X4.5	STEEL BOLT 3/8 X 4.5
5	1	NUT.375LOCK	3/8 THICK LOCK NUT
6	1	STD SEAT PIN	LONG SEAT PIN (HDADJ)
7	1	SELECTPIN	ASSY, STD SEAT SELECTOR PIN

WEIGHT = 9 lb  
 LENGTH = 17"  
 WIDTH = 4 3/4"  
 HEIGHT = 3"

**HAMMER STRENGTH EQUIPMENT**  
**H-HORN-ASSY: WEIGHT HORN ASSEMBLY**



ITEM NO.	QTY.	PART NO.	DESCRIPTION
1	1	H-HORN	WLDMT, WEIGHT HORN
2	1	8078001	CAP, END 1.75 DIA RD 14-20 GA
3	1	H-RUBRNG	MM5 RING

WEIGHT = 3 1/4 lb  
 LENGTH = 8 5/8"  
 WIDTH = 6"  
 HEIGHT = 3"